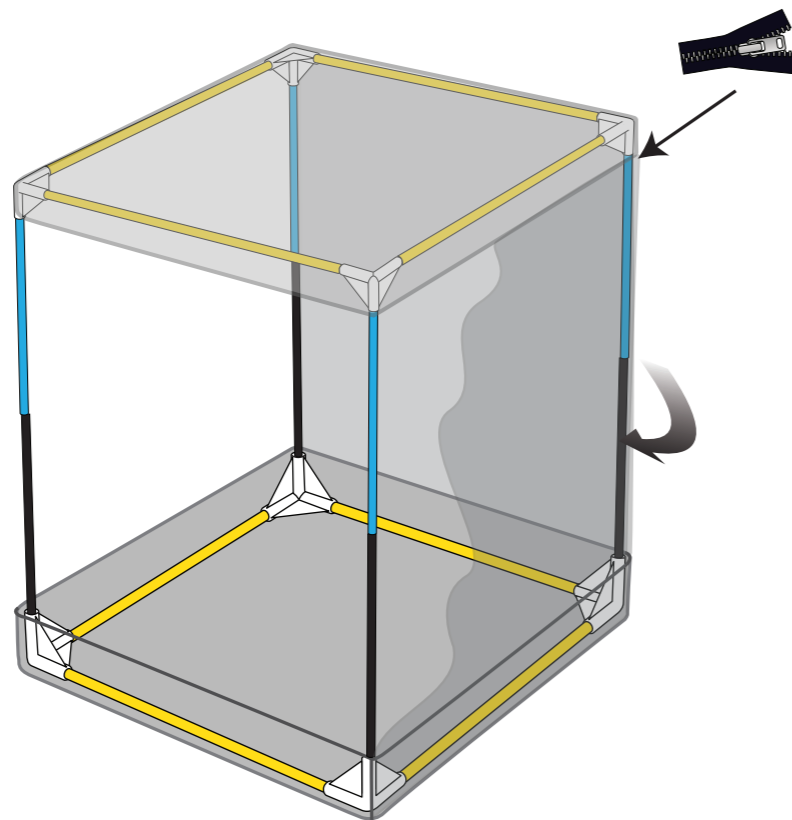


Step 5

Close tent zip starting top right as shown.



Assembly Instructions

One Person Assembly

Pro+ 120HC 150HC
mammothtents.nl



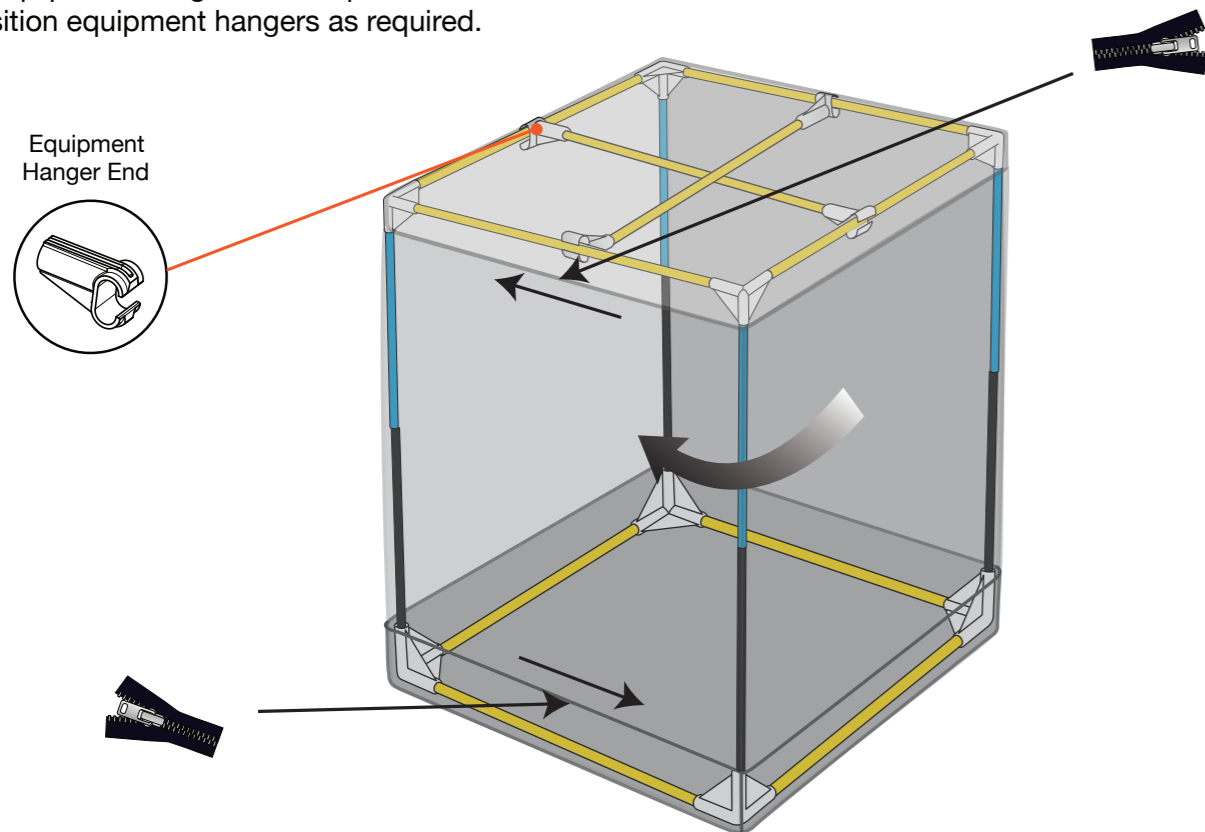
Mammoth Pro+ 120HC, 150HC Assembly Guide

Equipment Hangers



Step 6

Close tent zip top to bottom as shown.
Fit equipment hanger ends to poles.
Position equipment hangers as required.



Parts List

Yellow Pole
x11

Blue Pole
x4

Black Pole
x4

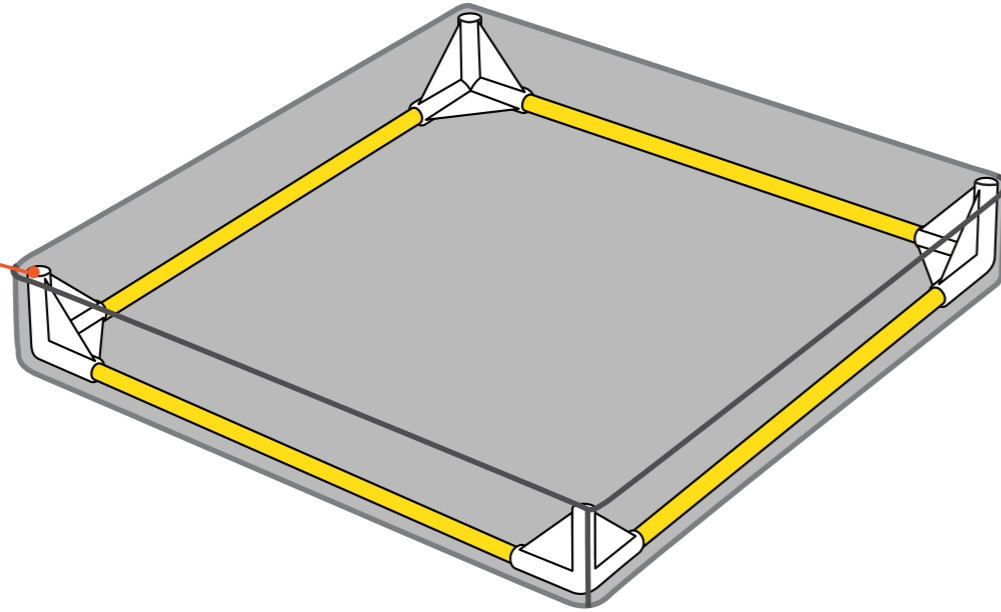
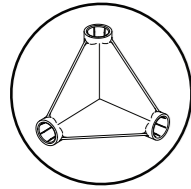
3-Way
Corner
x8

Equipment
Hanger Ends
x6

Step 1

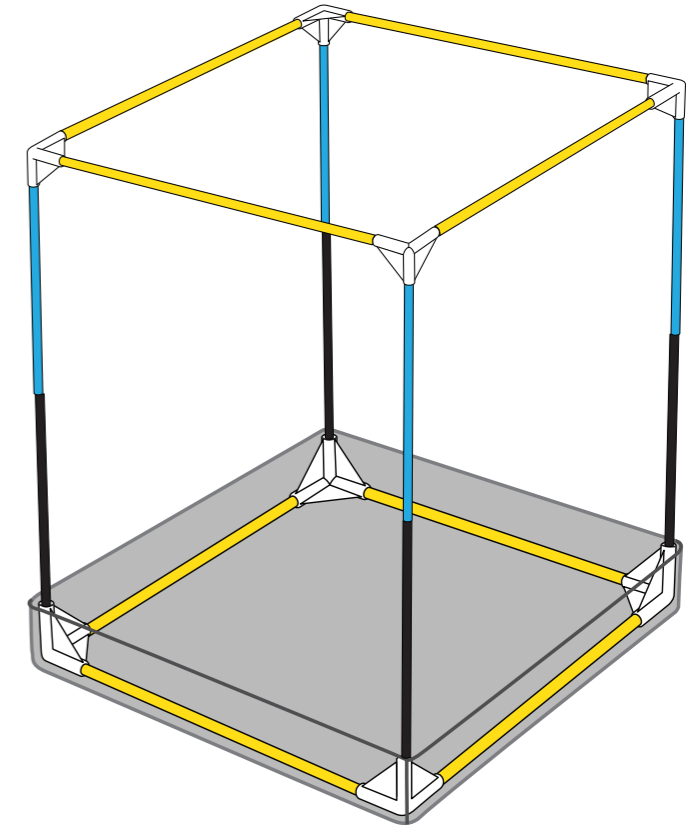
Organise poles and connectors into their colours and groups.
Unzip and lay out tent.
Locate floor section and lay flat with edge sections vertical.
Assemble floor poles and 3-way corners as shown.

3-Way Corner



Step 3

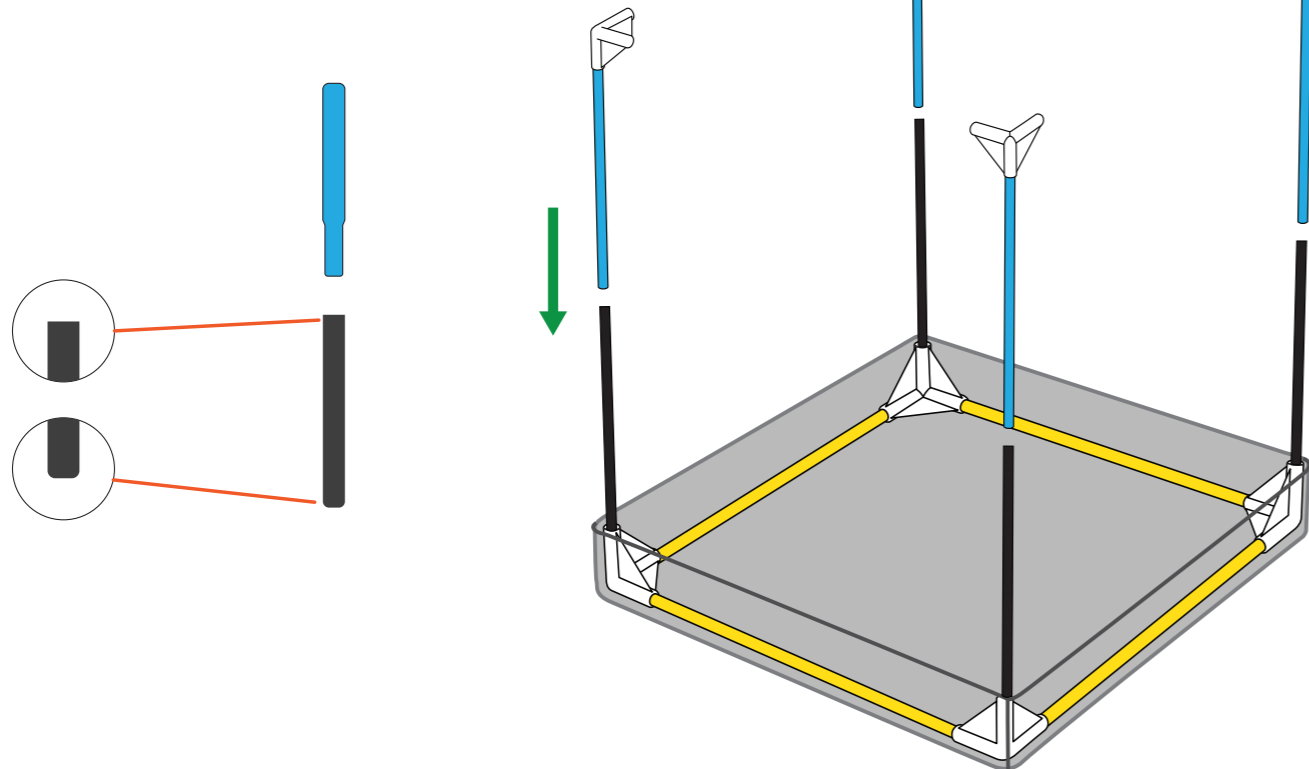
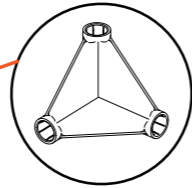
Insert ceiling poles into top 3-way corners.



Step 2

Insert lower wall poles (chamfered end) into 3-way corners.
Insert upper wall poles (shrunk end) into lower poles.
Fit 3-way corners on top.

3-Way Corner



Step 4

Lift tent over roof as shown.

